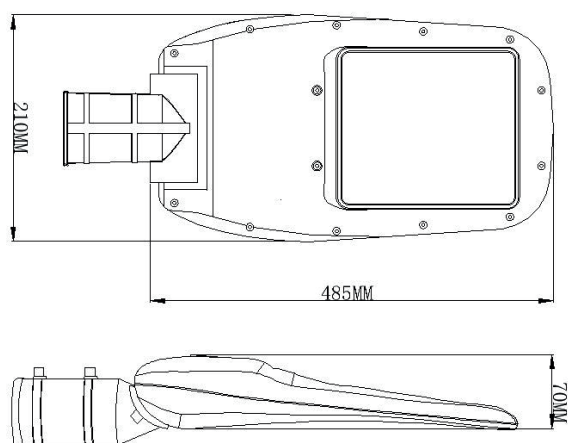


# LED STREET LIGHT RX-SL-R 50



Rated power: **50W**  
Input voltage: **AC100-265V 50/60Hz**  
Power factor: **>0,98**  
Electrical class: **CL I**  
Surge protection: **Separate 10 KV**

Color temperature: **4000K**  
Color rendering: **Ra>75**  
Efficiency: **120Lm/W**  
Beam angle: **150°x70°**  
LED brand: **Philips 3030**  
LED numbers: **60**



- Die casting aluminium housing with high transparent tempered glass
- Modern and durable design for long lasting performance
- Top or side mounting Ø60mm, adjustable angle
- Replacement for luminaires with mercury vapor or sodium lamps
- High luminous efficiency
- Long lifetime >50.000h
- Dark grey color



# RELAXO<sup>®</sup>

[www.relaxo.lighting](http://www.relaxo.lighting)